

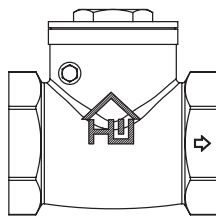
Specifications



Physical Characteristics

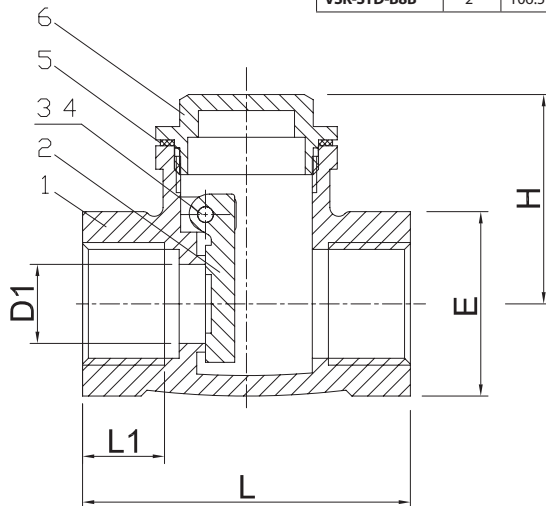
- Description: Swing Check Valve - Brass
- Connection Type: Female Thread x Female Thread
- Max. Operating Temp. Rating: 200° F
- Max. Operating Pressure Rating: 200 PSI non-shock WOG
- Meets ANSI/NSF 61 Low Lead Requirements

VSK-STD-B3PA
VSK-STD-B4PA
VSK-STD-B5PA
VSK-STD-B6PA
VSK-STD-B7PA
VSK-STD-B8PA
VSK-STD-B3B
VSK-STD-B4B
VSK-STD-B5B
VSK-STD-B6B
VSK-STD-B7B
VSK-STD-B8B



PART NO.	SIZE	L		L1		E(HEX)		H		D1		WEIGHT
		mm	In.	mm	In.	mm	In.	mm	In.	mm	In.	
VSK-STD-B3PA	1/2"	56	2.2	14	0.55	27.5	1.08	38	1.5	13.5	0.5	205
VSK-STD-B4PA	3/4"	61	2.4	14	0.55	33	1.30	41	1.6	18	0.7	281
VSK-STD-B4PA	1"	70	2.7	16	0.63	39	1.54	44.5	1.7	23	0.9	406
VSK-STD-B6PA	1-1/4"	82	3.2	18	0.71	50	1.97	53.5	2.1	31	1.2	644
VSK-STD-B7PA	1-1/2"	96	3.8	19	0.75	55	2.17	59	2.3	35	0.4	900
VSK-STD-B8PA	2"	106.5	4.2	20	0.79	66	2.60	70	2.7	45	1.8	1250

PART NO.	SIZE	L		L1		E(HEX)		H		D1		WEIGHT
		mm	In.	mm	In.	mm	In.	mm	In.	mm	In.	
VSK-STD-B3B	1/2"	56	2.2	14	0.55	27.5	1.08	38	1.5	13.5	0.5	205
VSK-STD-B4B	3/4"	61	2.4	14	0.55	33	1.30	41	1.6	18	0.7	281
VSK-STD-B4B	1"	70	2.7	16	0.63	39	1.54	44.5	1.7	23	0.9	406
VSK-STD-B6B	1-1/4"	82	3.2	18	0.71	50	1.97	53.5	2.1	31	1.2	644
VSK-STD-B7B	1-1/2"	96	3.8	19	0.75	55	2.17	59	2.3	35	0.4	900
VSK-STD-B8B	2"	106.5	4.2	20	0.79	66	2.60	70	2.7	45	1.8	1250



NO.	DESCRIPTION	MATERIAL
1	Body	Brass
2	Disc	Brass
3	Rod	Brass
4	Screw	Brass
5	Washer	Teflon
6	Bonnet	Brass